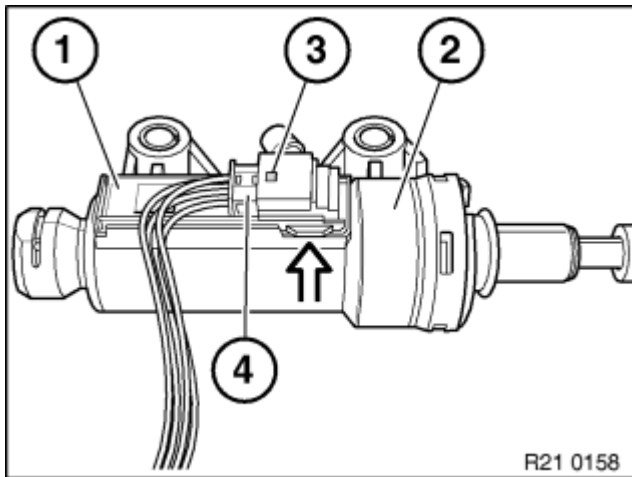


## 61 31 299 Removing and installing/replacing clutch switch module



### Necessary preliminary tasks:

- Remove [trim panel for pedal assembly](#).

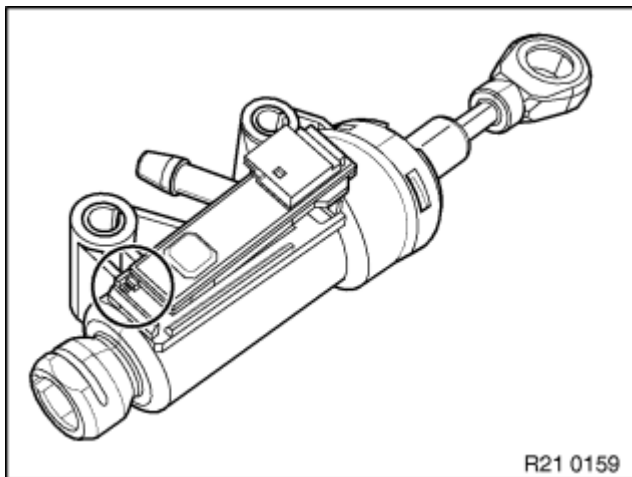


### Note:

For purposes of clarity, the clutch master cylinder is shown removed.

Lever out clutch switch module (1) from clutch master cylinder (2) with screwdriver.

Unlock plug (4) and disconnect from housing (3).



### Installation:

Clutch switch module is secured against incorrect installation.

Clutch switch module must snap audibly into place.

For informational purposes only. The information on this website is provided AS-IS with no warranties, express or implied, and is not guaranteed to be error-free, up-to-date or complete. NewTIS and BMW assume no liability for any loss or damage arising from the use or reliance on the information and content on this website. The content on this website is subject to change without notice.